



### AMP CONFIGURATION

1. This Crown amp comes present to **"BLANK."** You must enter the correct DSP based on your speaker configuration. To change the preset press "SET/ENTER" twice then use the "DOWN/UP" buttons to select the correct DSP setting. Then press the "SET/ENTER" button to load.

**WARNING:** Amplifier must be configured **BEFORE** speaker wires are connected.

#### Preloaded DSP's on Crown Amp

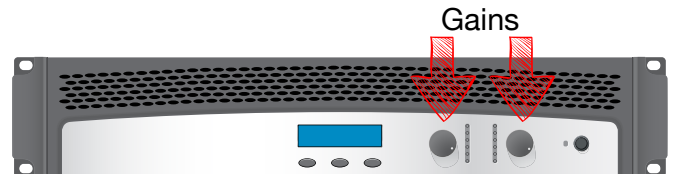
Chose the correct DSP based on the speakers you will install. If you need help, please contact TruAudio technical support at 888-858-1555

AS/P10 = AS & OL-70v speaker with ST-10PRO	BDCL/HS = BD-8/CL-70v speaker with HS-SUB-12
AS/P12 = AS & OL-70v speaker with ST-12PRO	AS3/AS3 = AS-3 on Both Channels, 70V
AS3/P10 = AS-3 speaker with ST-10PRO	AS3/HS = AS-3 with HS-SUB-12
AS3/P12 = AS-3 speaker with ST-12PRO	AS/S102 = AS & OL-70v speaker with ST-SUB-10.2
AS/HS = AS & OL-70v speaker with HS-SUB-12	AS/S122 = AS & OL-70v speaker with ST-SUB-12.2
AS/AS = AS & OL-70v speaker on both channels	AS3/S102 = AS-3 with ST-SUB-10.2
BD/CL = BeatDrop or CL-70v	AS3/S122 = AS-3 with ST-SUB-12.2

NOTE: If combining the AS-3 with AS-2 or AS-360, it is recommended to use the AS3 DSP on the amplifier. DO NOT use the AS-1 On this preset.

NOTE: THE AS-1, AS-2 and AS-360 are best used on the "AS" DSP

2. Set left and right gains evenly at 95% - 2 clicks back from full.



3. When using two SubTerrain's you can wire them in parallel.

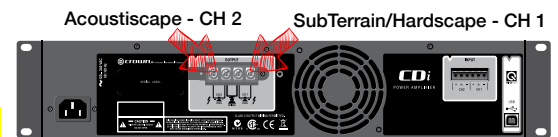
NOTE: Connect subwoofer(s) wire to channel 1 and test before burying the Subterrain(s).

4. Set all Acoustiscape speakers to 70V (AS-1 (30W), AS-2 (50W), and AS-3 (64W) max each.

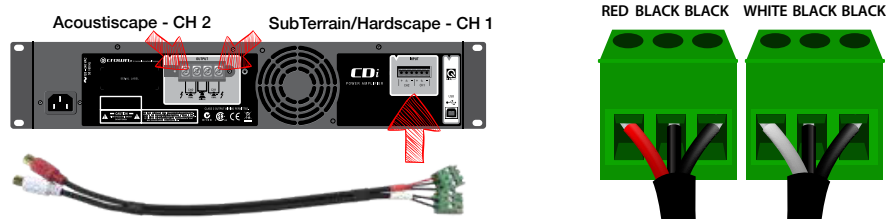
Wire up Acoustiscape speakers in parallel to channel 2.

**NOTE: Make sure the speaker is set to one of the TAP settings.**

**The speaker will blow if set to 8Ω and will not be covered by warranty.**



5. Attach the included RCA wires to the two phoenix connectors as shown in the illustration below. Make sure to match the colored wires in the correct order

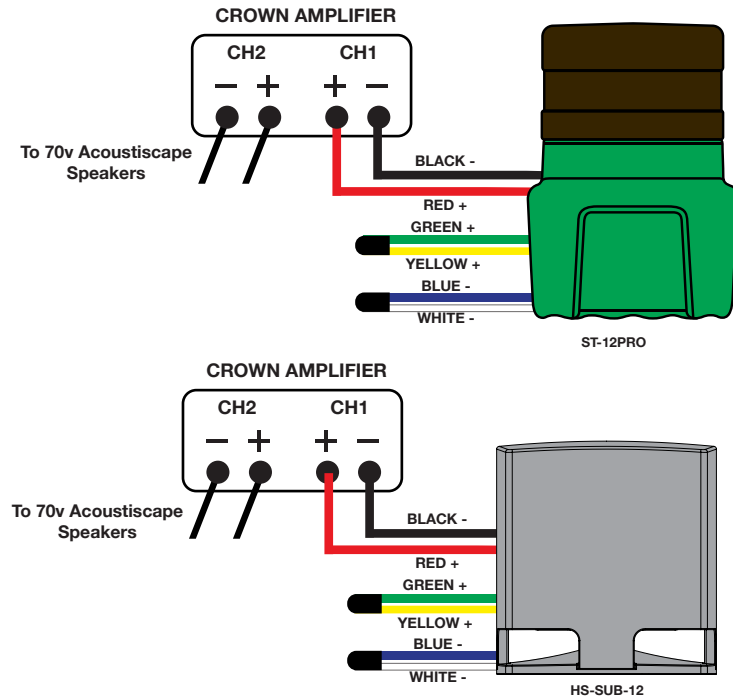


## Wiring

### ST-12PRO or HS-SUB12 in 70v

#### Powering the ST-12PRO or HS-SUB-12 in 70v (Standard Mode)

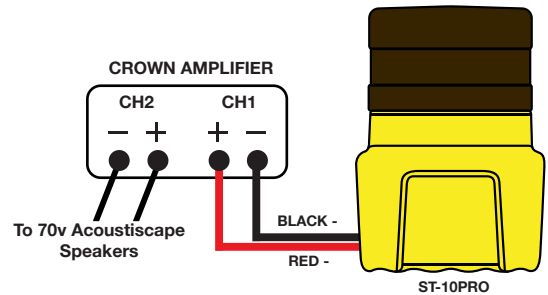
Connect the red wire (70v+) and the black wire (70v-) to the 70v amplifier.



### ST-10PRO

#### Powering the ST-10PRO in 4Ω

Connect the red wire (+) and the black wire (-) to the 4Ω amplifier.



### Powering the ST-12PRO or HS-SUB12 in 4Ω

Connect the yellow wire (4Ω+ positive input) and the blue wire (4Ω - negative input) to the 4Ω amplifier.

**SPECIAL NOTE:** Make sure your subwoofer amplifier can handle a 4Ω load and has a maximum wattage output of no more than 200 watts.

TruAudio recommends running the st-12PRO and HS-SUB12 in 70v with a Crown amplifier using a custom DSP designed by TruAudio for maximum performance.

## 70V Tap Settings

Set taps to desired listening level. The tap settings can be changed as long as the total speaker wattage does NOT exceed 80% of the amp's power.

**NOTE:** Lower tap settings allow for more speakers but a lower maximum volume.

### Finding the Correct Tap Setting

Example:

$$\text{AMP POWER} \times 80\% = \text{SAFE}$$

$$500\text{W} \times 80\% = 400\text{W}$$

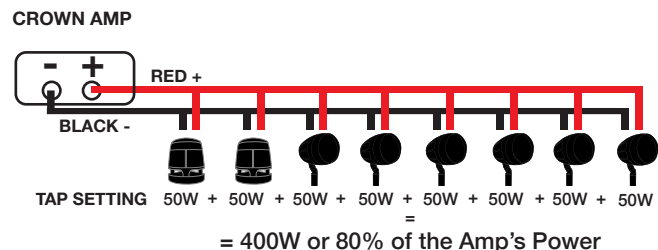
$$400\text{W} \div 64\text{W (Tap setting)} = 6 \text{ Speakers}$$

OR

$$400\text{W} \div 50\text{W (Tap setting)} = 8 \text{ Speakers}$$

OR

$$400\text{W} \div 30\text{W (Tap setting)} = 13 \text{ Speakers}$$



**NOTE:** If using 70V, the Acousticscape speakers MUST be set to the proper TAP setting prior to connecting it to the amplifier. The speaker will blow if set to 8Ω and will not be covered by warranty. The higher the TAP setting the more power it will receive from the amplifier and the louder the speaker will go. The TAP settings gives the listener greater flexibility for layout design. It also allows each speaker to be tapped at different levels creating an even sound stage.