



ST-SUB-10.2

ST-SUB-12.2

User Manual

Description

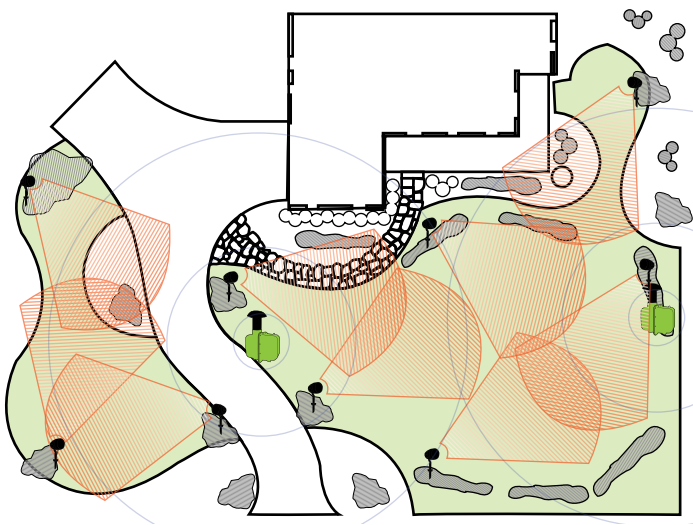
TruAudio's ST-SUB-10.2 and 12.2 subwoofers are designed to be water tight with a minimal footprint. They can be strategically installed in almost any space, delivering booming sound from a convenient source discreetly hidden in the landscape. The ST-SUB-10.2 comes in 4 ohm, and the ST-SUB-12.2 comes in either 4 ohm or 70V making it as versatile as it is powerful. Please read the following manual to ensure the best results. We at TruAudio appreciate your purchase and wish you years of musical enjoyment.

Contents:

- Subwoofer Encloser
- Rubber Sleeve
- Sound Port
- Sound Cap
- Silicone Filled Wire Nuts

Subwoofer Installation

The SubTerrain subwoofer provides low frequency bass covering about 2500 sq feet. This gives you the flexibility to place it in many locations. Whenever possible try to locate it in the middle of the listening area.



Size of Hole

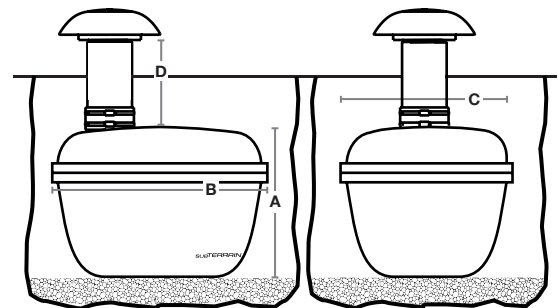
We recommend putting gravel at the bottom of the hole to help with drainage. After placing the Sub in the hole, fill the edges with dirt (don't pack the dirt in too tight).

ST-SUB-12.2

- A - 18.6" (472 mm)
- B - 27.4" (696 mm)
- C - 21.9" (556 mm)
- D - 8.3" (211 mm)
- Hole - 21" (533 mm) H,
25" (635 mm) W,
30" (762 mm) L

ST-SUB-10.2

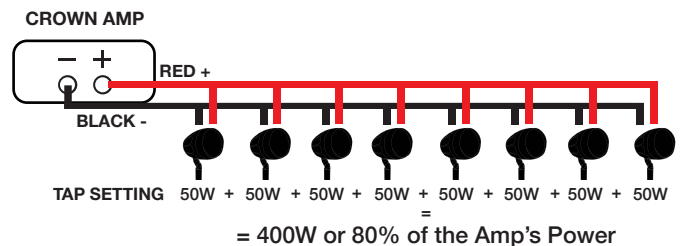
- A - 14.4" (366 mm)
- B - 22.4" (569 mm)
- C - 16.6" (422 mm)
- D - 10.3" (262 mm)
- Hole - 17" (432 mm) H,
19" (483 mm) W,
25" (635 mm) L



70V Tap Settings

Set taps to 80% maximum of amp's capacity. The tap settings can be changed as long as the total speaker wattage does NOT exceed 80% of the amp's power.

NOTE: Lower tap settings allow for more speakers but a lower maximum volume



Finding the Correct Tap Setting

AMP POWER x 80% = SAFE

500W x 80% = 400W

400W ÷ 50W = 8 Speakers

OR

400W ÷ 30W = 13 Speakers

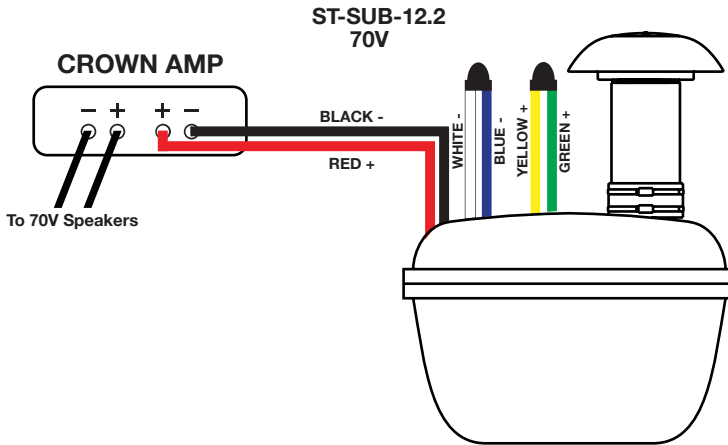


Wiring

70V:

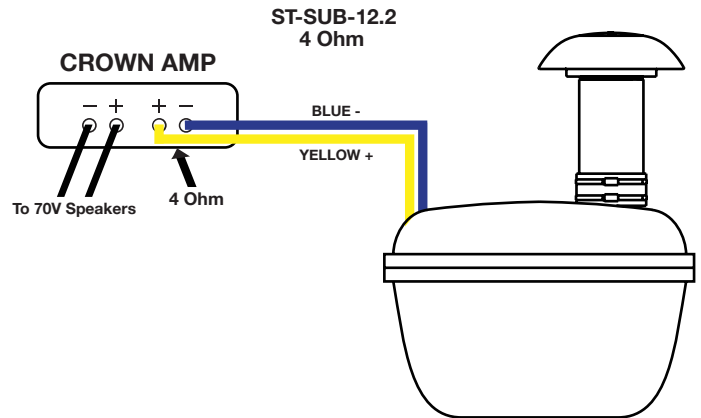
Note: for ST-SUB-12 Only

Connect the red cable (70V+) and black cable (70V-) to the amp. Make sure the white cable (70V- Output) is connected to the blue cable (4 Ohm - input) and the green cable (70V+ Output) is attached to the yellow cable (4 Ohm + input).



4 Ohm - ST-SUB-12:

Connect the yellow wire (4 ohm + input) & the blue wire (4 ohm - input) to the 4 ohm amp.



4 Ohm - ST-SUB-10:

Connect the (red + 4 ohm) and the (black - 4 ohm) to the 4 ohm amp

ST-SUB-12.2

Specifications

Speaker Type: Underground subwoofer
 Woofer: 12" injected polypropylene
 Power: 400W
 Impedance: 4Ω or 70V
 70V Taps: 200W
 Freq Response: 28 - 90k Hx (+/- 3dB)
 Sensitivity: 89dB
 Cabinet Dimensions: 24.7" (624mm) L,
 21.6" (548mm) W,
 33.7" (175mm) H w/port

ST-SUB-10.2

Specifications

Speaker Type: Underground subwoofer
 Woofer: 10" injected polypropylene
 Power: 250W
 Impedance: 4Ω
 70V Taps: ---
 Freq Response: 40 - 85k Hx (+/- 3dB)
 Sensitivity: 88dB
 Cabinet Dimensions: 18.9" (480mm) L,
 16.5" (420mm) W,
 28.7" (730mm) H w/port

SoundVision Technologies dba

OUTDOOR SPEAKERS and SUBWOOFERS PRODUCT WARRANTY

All outdoor speakers and subwoofers have a limited 5 year warranty. This warranty includes lifetime parts and repair labor on all components. The warranty extends only to the original purchaser of the product and not to any subsequent owner. TRUAUDIO's obligation under these warranties is limited to repairing or replacing any component found defective in material or workmanship under normal conditions of use with an equal and/or current product. These warranties shall not apply to products which have been abused, modified, or disassembled. Products to be repaired or returned under this warranty must be returned to the factory through an authorized TruAudio dealer with all transportation and insurance charges prepaid.

It is the policy of TRUAUDIO to continuously incorporate improvements into our products. All specifications are subject to change without notice. If you have any questions regarding this or any other TRUAUDIO products, please visit www.TruAudio.com or contact us:

Office: 1-888-858-1555, Monday-Friday 7 am - 6 pm MST.
 Email: CustomerService@truaudio.com

TruAudio
 198 N Old Highway 91
 Hurricane, UT 84737 USA