

CONTENTS

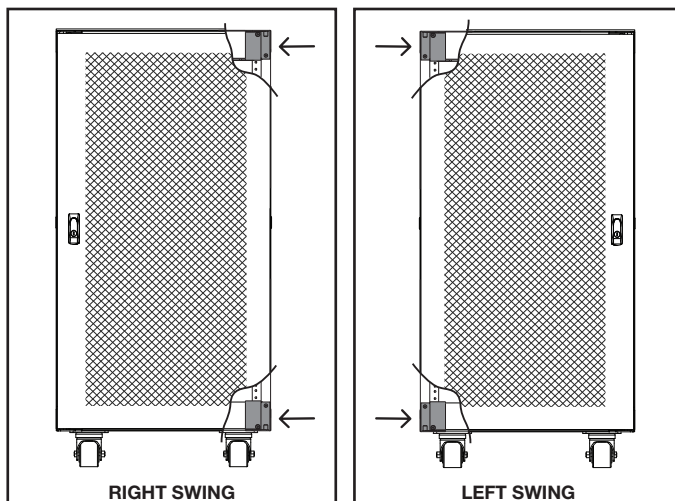
RVS-F/RDOOR-xxU

- (1) Front door
- (1) Rear panel
- (1) Door latch hardware
- (1) Hinge bracket set – includes screws
- (1) Installation manual

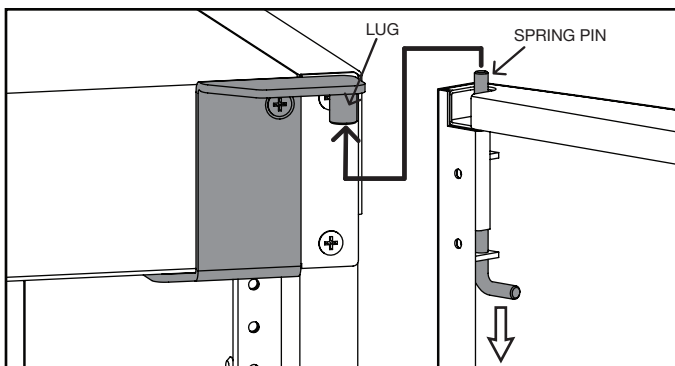
INSTALLATION

Front Door

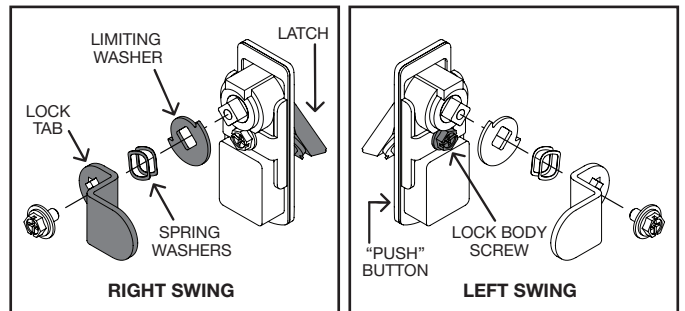
1. Attach the hinge brackets to the rack using the supplied screws. The graphic below shows the hinge locations for right swing or left swing configurations. The door lock comes partially assembled for right swing.



2. The front door attaches to the hinges by inserting the spring pins into the lugs on the hinge brackets. Lift the door and set the bottom pin into position, then retract the top pin and align the door with the top lug before releasing the pin.



3. Install the door latch hardware as shown in the graphic below. Latch must point down when assembling the hardware. Only one limiting washer is needed and the extra can be discarded. For left swing configurations the lock body must be removed and rotated 180 degrees in its opening, so that the "PUSH" button can be read correctly.



Rear Panel

1. There are 2 protruding pins welded to the bottom edge of the rear panel. To install the rear panel hold the panel near vertical and insert these pins into their respective holes in the rack bottom panel, then tip the door upwards into position until the clips latch.

SoundVision Technologies dba TRUAUDIO
FORGE™ PRODUCT WARRANTY

All Forge™ racks have a limited lifetime warranty. This warranty includes lifetime parts and repair labor on all components. The warranty extends only to the original purchaser of the product and not to any subsequent owner. TRUAUDIO's obligation under these warranties is limited to repairing or replacing any component found defective in material or workmanship under normal conditions of use with an equal and/or current product. These warranties shall not apply to products which have been abused, or modified. Products to be repaired or returned under this warranty must be returned to the factory through an authorized TruAudio dealer with all transportation and insurance charges prepaid.

It is the policy of TRUAUDIO to continuously incorporate improvements into our products. All specifications are subject to change without notice. If you have any questions regarding this or any other TRUAUDIO products, please visit www.TruAudio.com or contact us:

Office: 1-888-858-1555, Monday-Friday 7 am - 6 pm MST.
Email: CustomerService@truaudio.com

TruAudio
198 N Old Highway 91
Hurricane, UT 84737 USA

